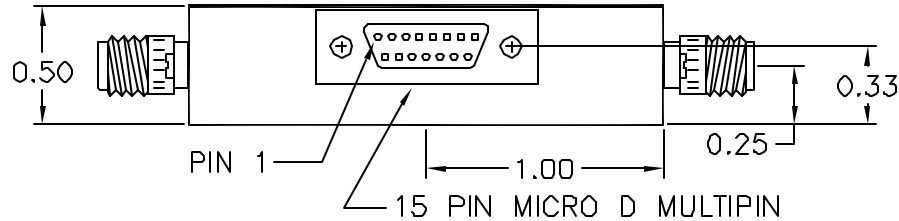


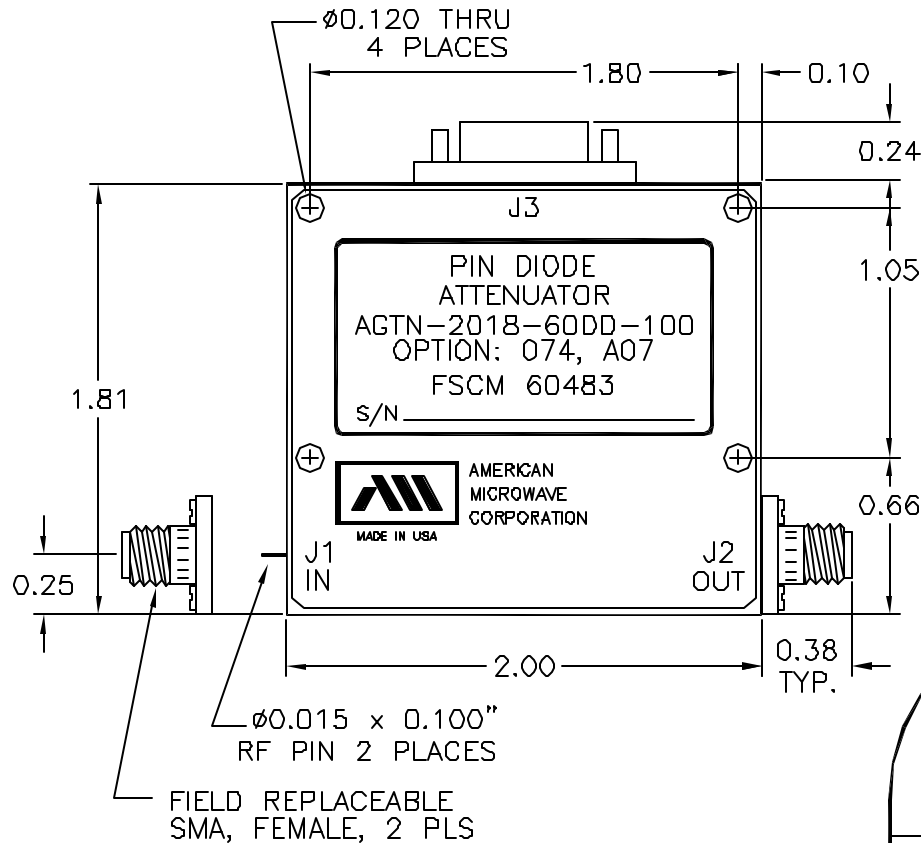
DESCRIPTION

AMC MODEL AGTN-2018-60DD-100 OPTIONS: 074, A07 IS A BROAD BAND VARIABLE ATTENUATOR/MODULATOR CONTROLLED BY 8 BIT POSITIVE TRUE BINARY LOGIC DESIGNED TO OPERATED BETWEEN THE 0.7 TO 4 GHz FREQUENCY RANGE.

REVISIONS				
ZONE	REV.	DESCRIPTION	DATE	APPROVED
	-	ORIGINAL RELEASE JOB# 509222	9/26/05	



MECHANICAL OUTLINE



ALL DIMENSIONS ARE IN INCHES
TOLERANCES:
X.XX ±0.020
X.XXX ±0.010

AMERICAN MICROWAVE CORPORATION

7311-G GROVE ROAD
FREDERICK, MARYLAND 21704 USA
TEL: 301-662-4700 FAX: 301-662-4938
WEBSITE: www.americanmicrowavecorp.com
E-MAIL: sales@americanmicrowavecorp.com
ISO 9001:2000 CERTIFIED



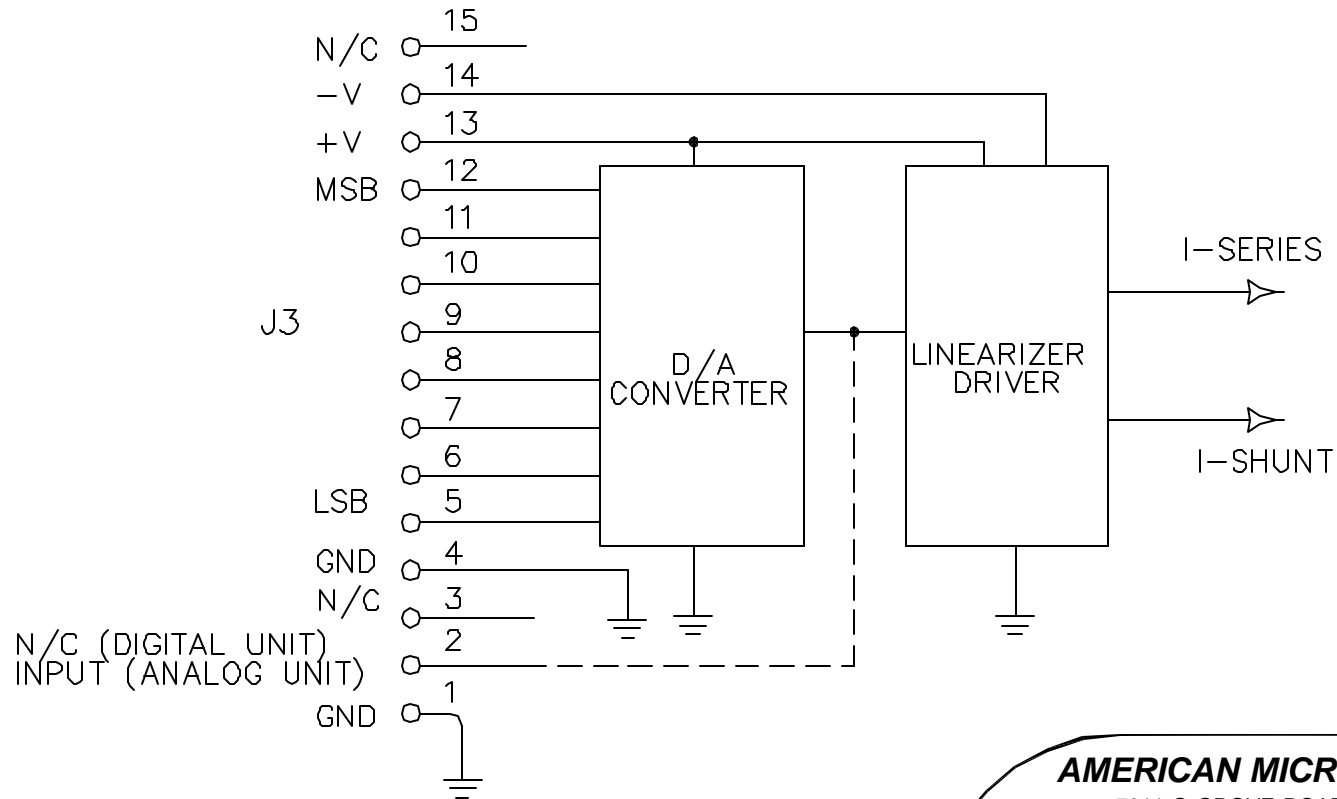
APPROVALS		DATE	TITLE		
DRAWN	<i>FDJ</i>	9/26/05	MECHANICAL OUTLINE AGTN-2018-60DD-100 OPTION: 074, A07 0.7-4 GHz, PROGRAMMABLE VARIABLE ATTENUATOR		
CHECKED			SIZE	FSCM NO.	DWG NO.
ISSUED			A	60483	100-7499
			SCALE	N:S	SHEET 2 OF 4

DESCRIPTION

AMC MODEL AGTN-2018-60DD-100 OPTIONS: 074, A07 IS A BROAD BAND VARIABLE ATTENUATOR/MODULATOR CONTROLLED BY 8 BIT POSITIVE TRUE BINARY LOGIC DESIGNED TO OPERATED BETWEEN THE 0.7 TO 4 GHz FREQUENCY RANGE.

REVISIONS				
ZONE	REV.	DESCRIPTION	DATE	APPROVED
	-	ORIGINAL RELEASE JOB# 509222	9/26/05	

FUNCTIONAL BLOCK DIAGRAM



AMERICAN MICROWAVE CORPORATION

7311-G GROVE ROAD
 FREDERICK, MARYLAND 21704 USA
 TEL: 301-662-4700 FAX: 301-662-4938
 WEBSITE: www.americanmicrowavecorp.com
 E-MAIL: sales@americanmicrowavecorp.com
 ISO 9001:2000 CERTIFIED



APPROVALS		DATE	TITLE		
DRAWN	<i>FDS</i>	9/26/05	FUNCTIONAL BLOCK DIAGRAM AGTN-2018-60DD-100 OPTION:074, A07		
CHECKED			SIZE	FSCH NO.	DWG NO.
ISSUED			A	60483	100-7499
			SCALE	N:S	SHEET 3 OF 4